

FOR OFF-ROAD/CLOSED COURSE USE ONLY



**PART#: DRP-703 (DRIVEN RR DUCATI PANIGALE  
INSTALLATION INSTRUCTIONS**

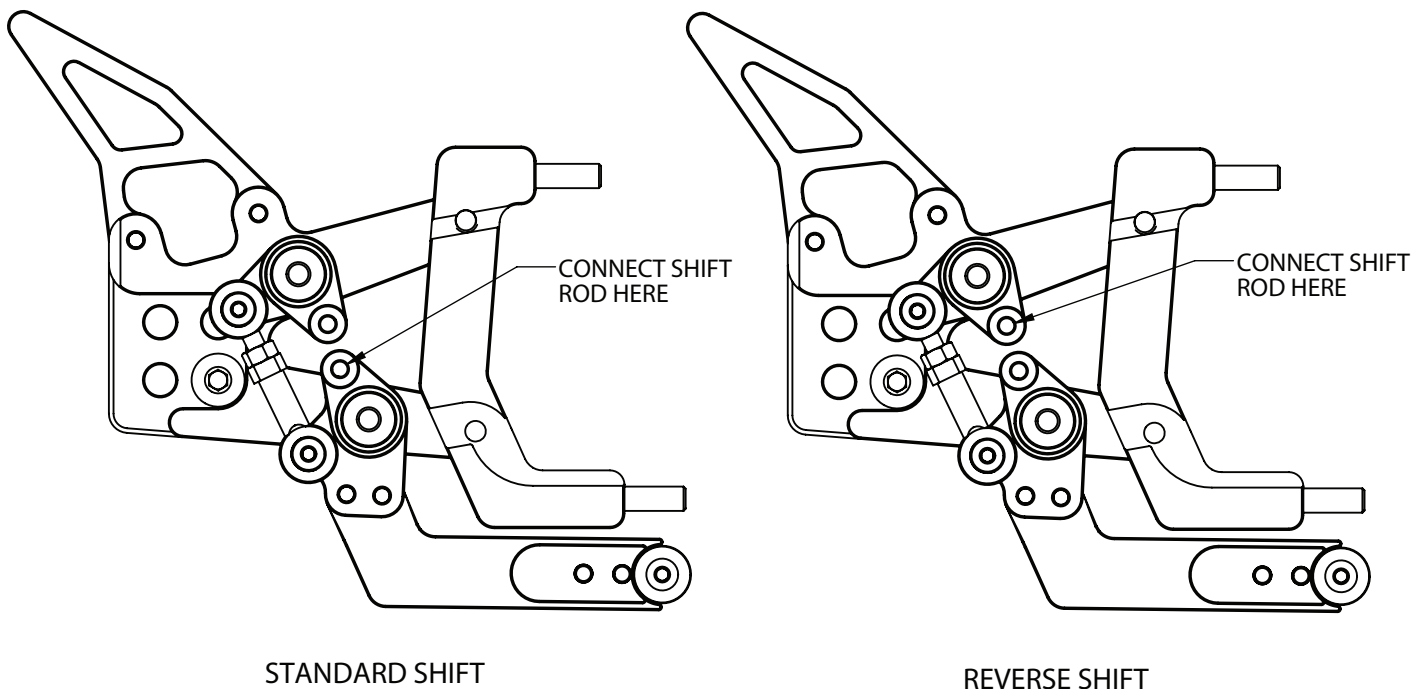
**BRAKE SIDE**

- 1.Remove heel guard and heat shield bracket. Remove master cylinder bracket and retain for re-install.
- 2.Remove plunger and spring and retain for re-install.
- 3.Remove foot rest bracket using a m6 allen key.
- 4.Remove rear brake switch (you will need a pressure switch to activate the rear brake light, not included).
- 5.Using (2) m8 screws install the right side frame bracket (part #: drp-163).
- 6.Install foot peg into rearsset bracket at the desired position and tourqe footpeg screw to 29 ft/lbs.
- 7.Install master cylinder bracket to rearsset bracket and install both plunger and spring to brake pedal using the OEM screw.
- 8.Install brake pedal to rearsset using the supplied m8 screw and an impact wrench.
- 9.Install rearsset to frame bracket using the (2) supplied m8 x 25 screws.

**SHIFTER SIDE**

- 10.Remove the m6 screw from the shift pedal, then remove the shift pedal from the foot rest assembly.
- 11.Remove foot peg assembly from the frame using an m6 allen key.
- 12.**For installation, you will need to remove both top bell crank and shift pedal from the rearsset bracket and leave the heim joint connected.**
- 13.Install shift rod to the top bell crank (bossed out point) using the supplied m6 cap screw.
- 14.Mount the frame bracket to the frame using the (2) supplied m8 screws.
- 15.Connect the foot peg to rearsset and tourqe to 29 ft/lbs .
- 16.Connect the rearsset to frame bracket using the (2) supplied m8 screws.
- 17.Using an impact gun connect the bell crank and shift pedal to rearsset assembly.

**THE USE OF BLUE LOCTITE IS REQUIRED ON ALL MOUNTING HARDWARE!**



**THIS PRODUCT MUST BE INSTALLED BY A CERTIFIED MOTORCYCLE TECHNICIAN**

